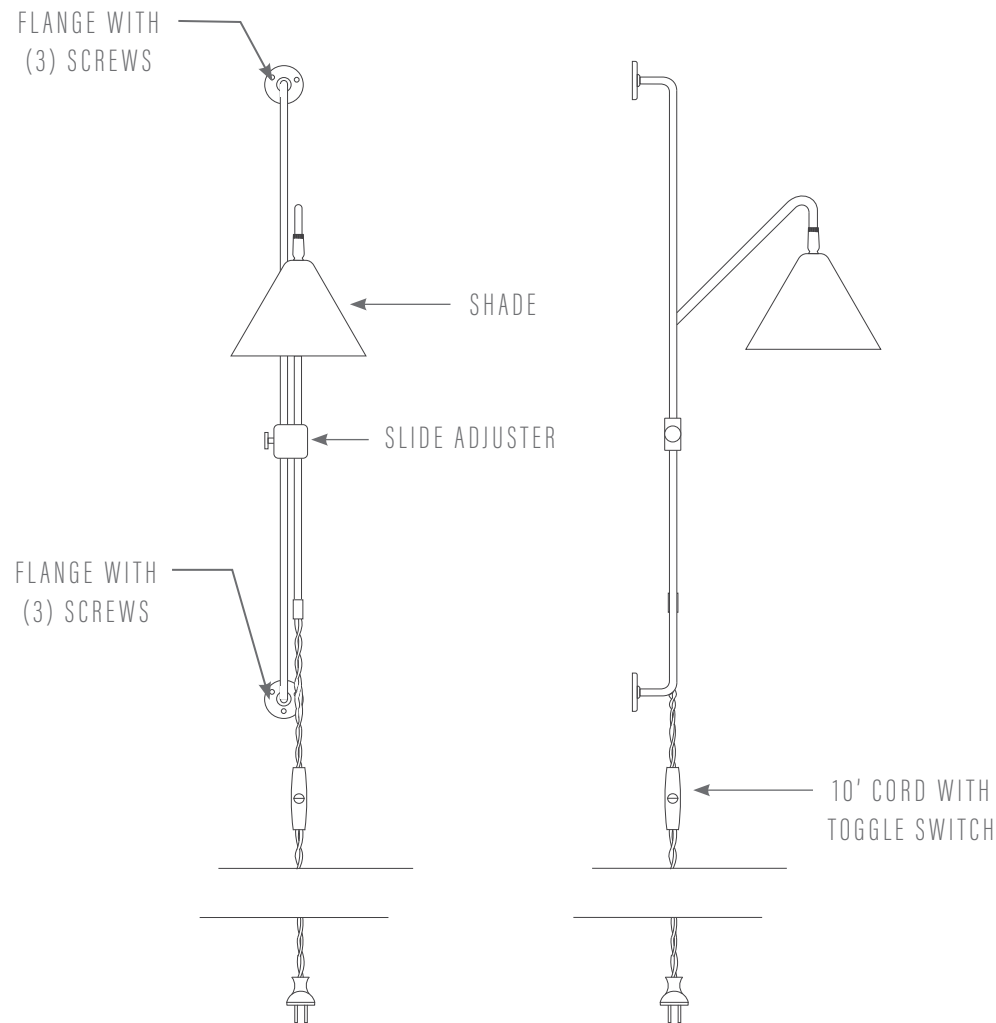


ARLO LIGHT

INSTALLATION INSTRUCTIONS

- 1 Wear Gloves! This will protect the finish on your light, so that it will patina evenly over time. Once installed, you can touch the slide adjuster without gloves to adjust the direction and height of the fixture.
- 2 Determine the placement of your Arlo fixture on your wall. Use a level to make sure it is perfectly vertical and mark the holes that need to be drilled.
- 3 If you are not mouting the light on a stud, we recommend using wall anchors.
- 4 Use the included screws to attach the fixture to the wall.
- 5 Plug in and adjust the direction of the fixture head.



KATY SKELTON™

+1 347 930 9363 | info@katyskelton.com | katyskelton.com

PROUDLY MADE TO ORDER IN SAVANNAH, GEORGIA