

CONNOR DOUBLE SCONCE

PROUDLY MADE TO ORDER IN
TENNESSEE + GEORGIA



Pictured: Natural Brass, Natural Ceramic

DIMENSIONS

Fixture: 4.875"w x 4.75"d x 41.5"h
4.875"w x 4.75"d x 53.5"h

Backplate: 4.75"dia x .75"h

FINISHES

Body: Aged Brass
Natural Brass
Blackened Brass

Ceramic: Light Teal
Natural
Orangesicle
Slate

CUSTOMIZATIONS

Dimensions and finishes may be customized upon request.

LAMPING

E26 socket, max wattage = 60w

(2) G25/6 watt LED (45w equivalent)/2700k/dimmable bulb included

UL Listed

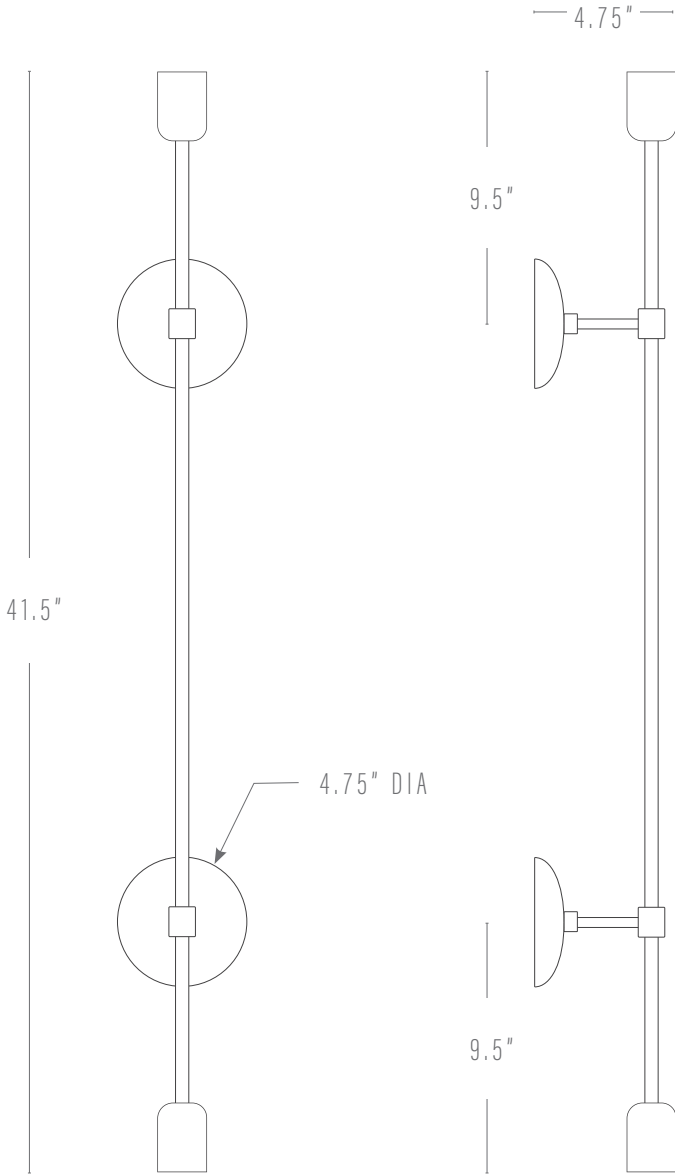
KATY SKELTON™

+1 347 930 9363 | info@katyskelton.com | katyskelton.com



CONNOR DOUBLE SCONCE

PROUDLY MADE TO ORDER IN
TENNESSEE + GEORGIA



*THIS FIXTURE WILL BE WIRED FOR A
JUNCTION BOX THROUGH (1) BACKPLATE.

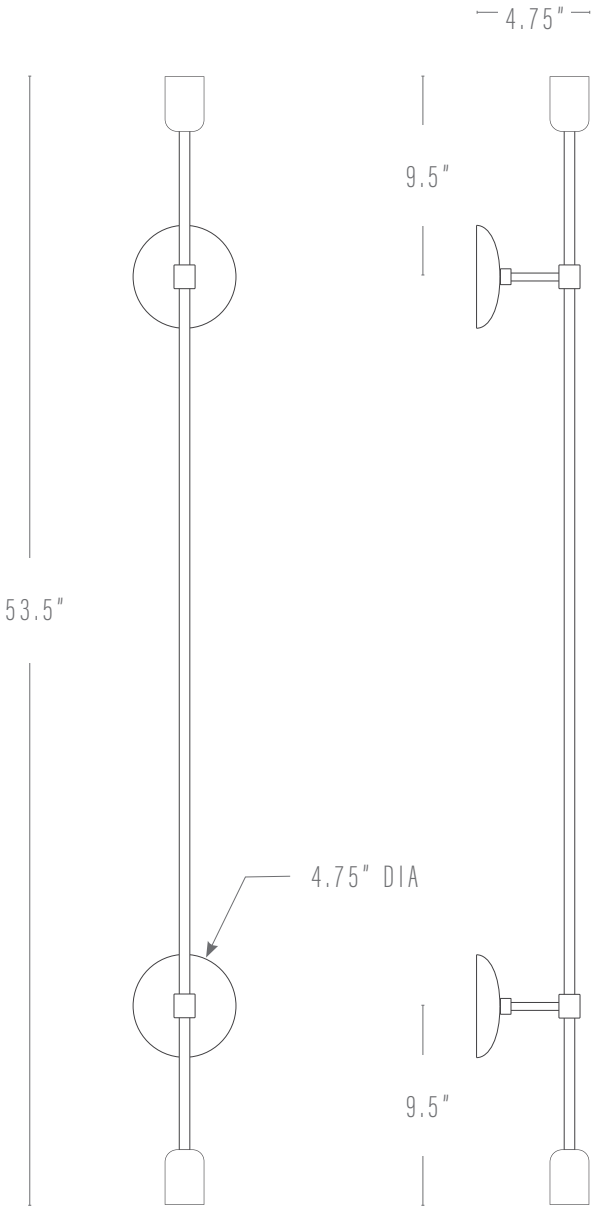
KATY SKELTON™

+1 347 930 9363 | info@katyskelton.com | katyskelton.com



CONNOR DOUBLE SCONCE

PROUDLY MADE TO ORDER IN
TENNESSEE + GEORGIA



*THIS FIXTURE WILL BE WIRED FOR A
JUNCTION BOX THROUGH (1) BACKPLATE.

KATY SKELTON™

+1 347 930 9363 | info@katyskelton.com | katyskelton.com

