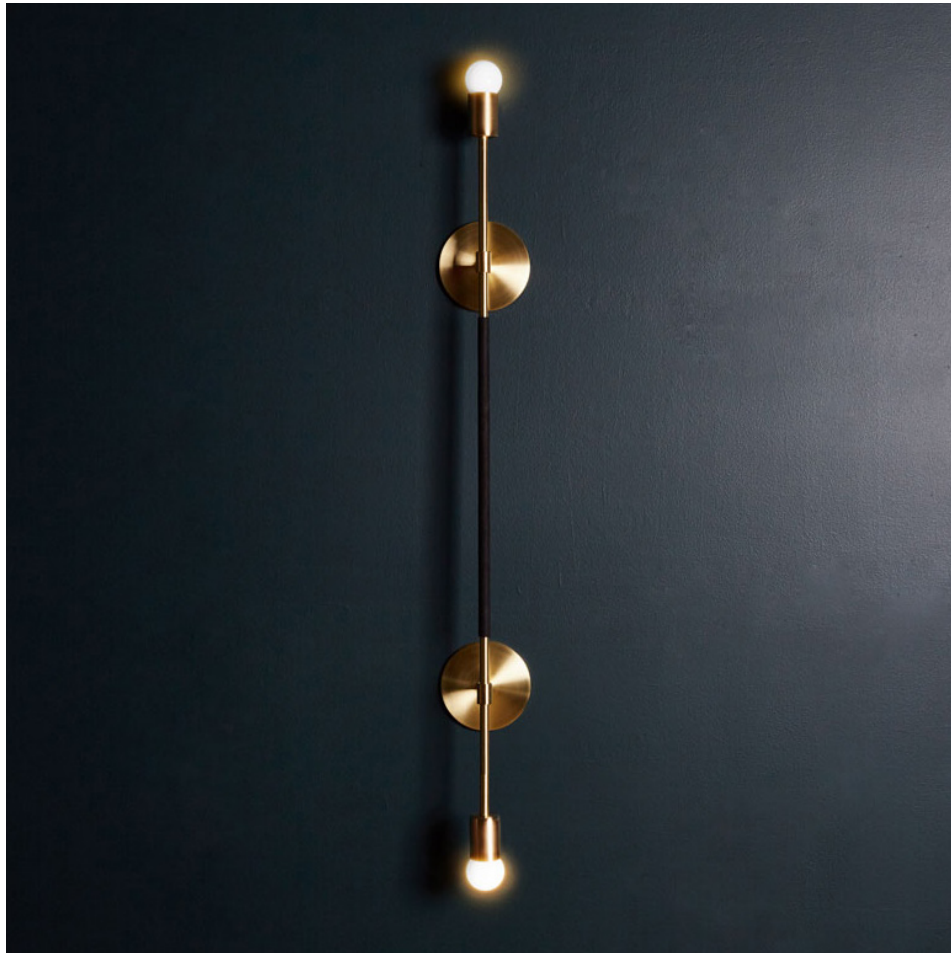


DOUBLE LINEAR SCONCE

PROUDLY MADE TO ORDER IN GEORGIA



Pictured: Natural Brass, Black Leather

DIMENSIONS

Fixture: 5"w x 4.75"d x 28.5"h
5"w x 4.75"d x 40.5"h
5"w x 4.75"d x 52.5"h

Backplate: 5"dia x .25"h

FINISHES

Body: Aged Brass
Blackened Brass
Natural Brass

Leather: Black
Caramel
White

CUSTOMIZATIONS

Dimensions and finishes may be customized upon request.

LAMPING

E26 socket, max wattage = 60w

(2) G16/1.4 watt LED (15 watt equivalent)/2700k/
dimmable bulbs included

UL Listed

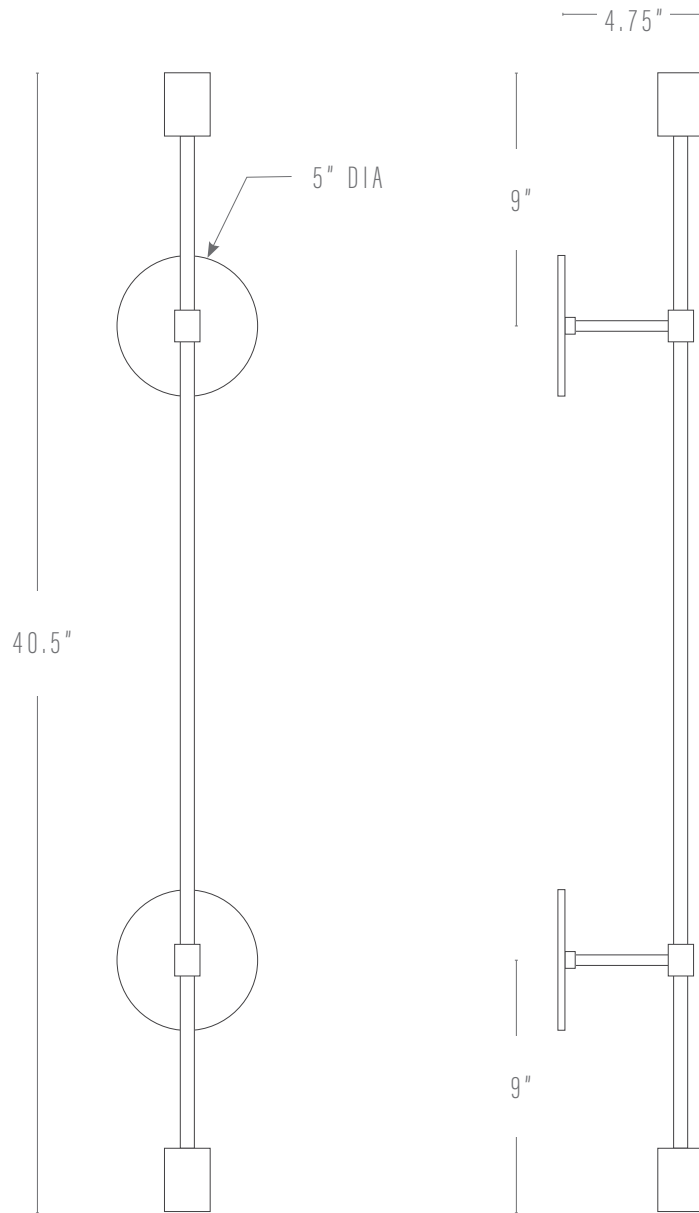
KATY SKELTON™

+1 347 930 9363 | info@katyskelton.com | katyskelton.com



DOUBLE LINEAR SCONCE

PROUDLY MADE TO ORDER IN GEORGIA



*THIS FIXTURE WILL BE WIRED FOR A JUNCTION BOX THROUGH (1) BACKPLATE.

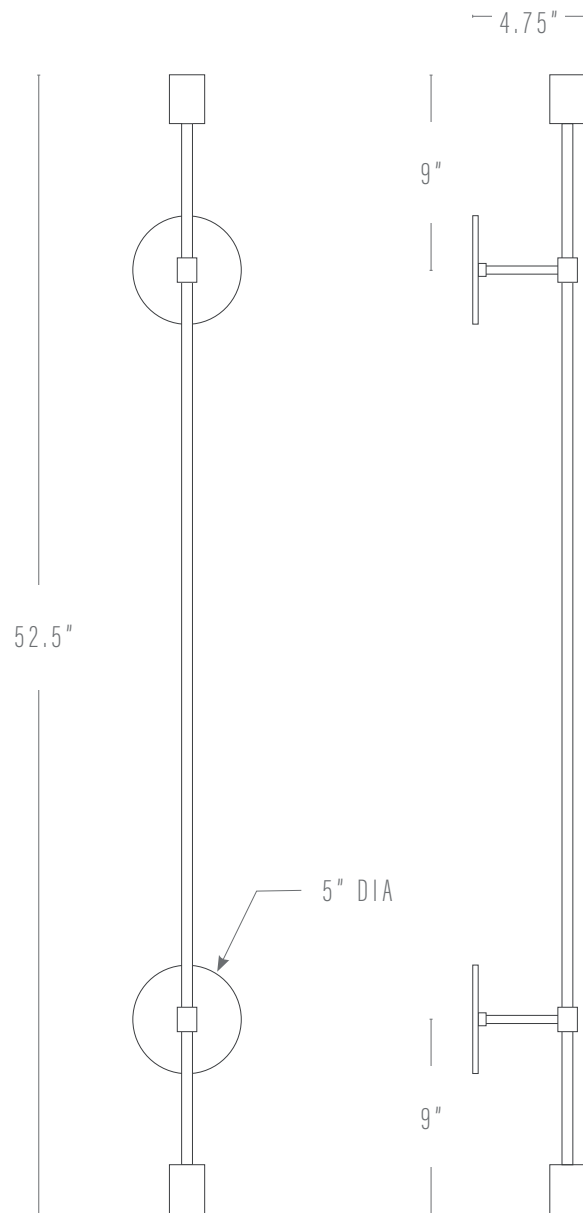
KATY SKELTON™

+1 347 930 9363 | info@katyskelton.com | katyskelton.com



DOUBLE LINEAR SCONCE

PROUDLY MADE TO ORDER IN GEORGIA



*THIS FIXTURE WILL BE WIRED FOR A JUNCTION BOX THROUGH THE TOP BACKPLATE.

KATY SKELTON™

+1 347 930 9363 | info@katyskelton.com | katyskelton.com

