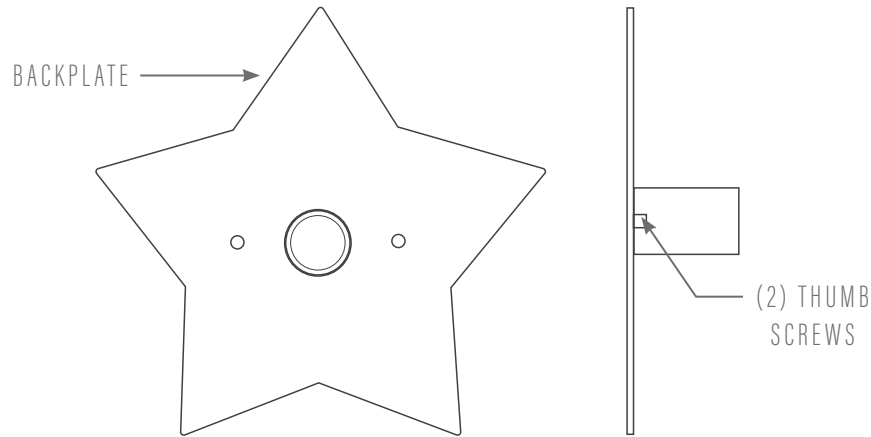


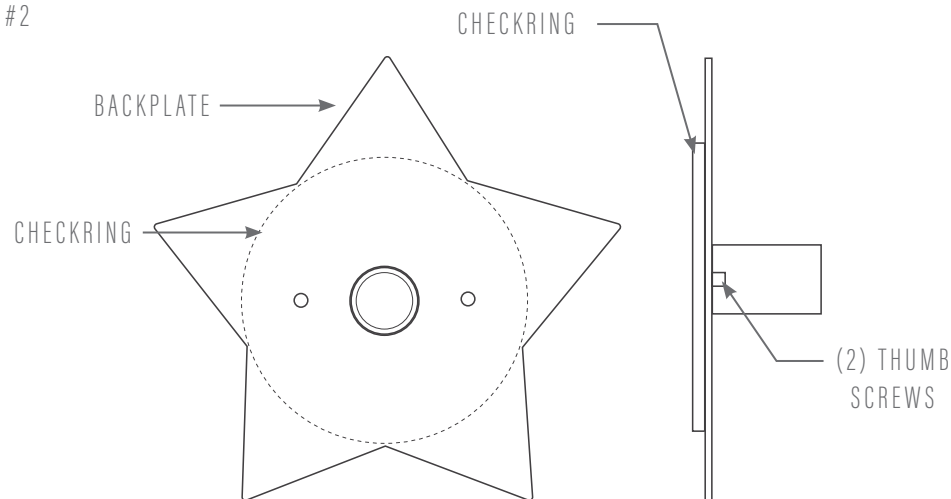
LONE STAR SCONCE

INSTALLATION INSTRUCTIONS

OPTION #1



OPTION #2



- 1 Wear Gloves! This will protect the finish on your light, so that it will patina evenly over time.
- 2 Unwrap all parts of the light.
- 3 Attach the crossbar to the junction box with the machine screws provided, making sure the crossbar is flush with the wall.
- 4 Wire the fixture to the junction box.
- 5 With the brass or black mounting screws provided, attach the backplate to the crossbar.
- 6 If your junction box is not flush with the wall, please refer to mounting option #2. The included checkring will cover the junction box and offset the fixture slightly from the wall.
- 7 To attach the checkring to the back of the star backplate, remove the nut that holds the star in place and slide the canopy over the threaded rod. Screw the nut back onto the threaded rod over the checkring.
- 8 With the brass or black mounting screws provided, attach the fixture to the crossbar.

KATY SKELTON™

+1 347 930 9363 | info@katyskelton.com | katyskelton.com

PROUDLY MADE TO ORDER IN SAVANNAH, GEORGIA