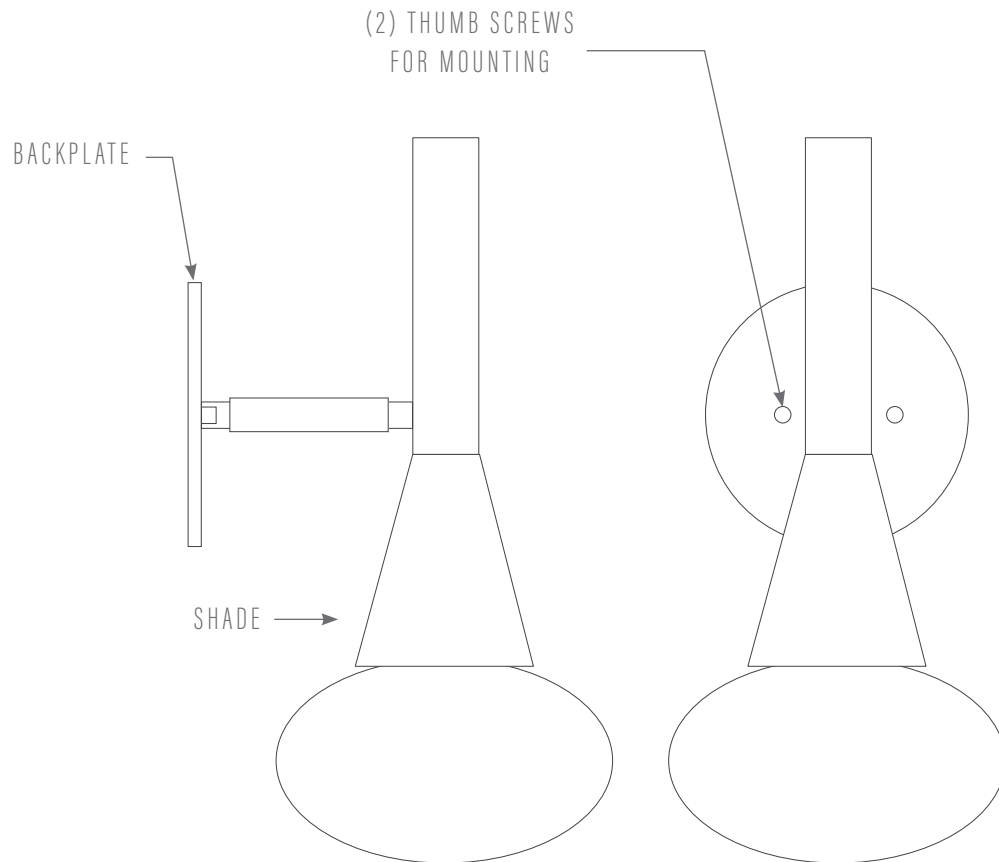


MERCER SCONCE

INSTALLATION INSTRUCTIONS



- 1 Wear Gloves! This will protect the finish on your light, so that it will patina evenly over time.
- 2 Unwrap all parts of the light.
- 3 Attach the crossbar to the junction box with the machine screws provided, making sure the crossbar is flush with the wall.
- 4 With a licensed electrician, wire the light to the junction box.
- 5 Attach the backplate to the crossbar with the thumb screws provided.

KATY SKELTON™

+1 347 930 9363 | info@katyskelton.com | katyskelton.com

PROUDLY MADE TO ORDER IN SAVANNAH, GEORGIA